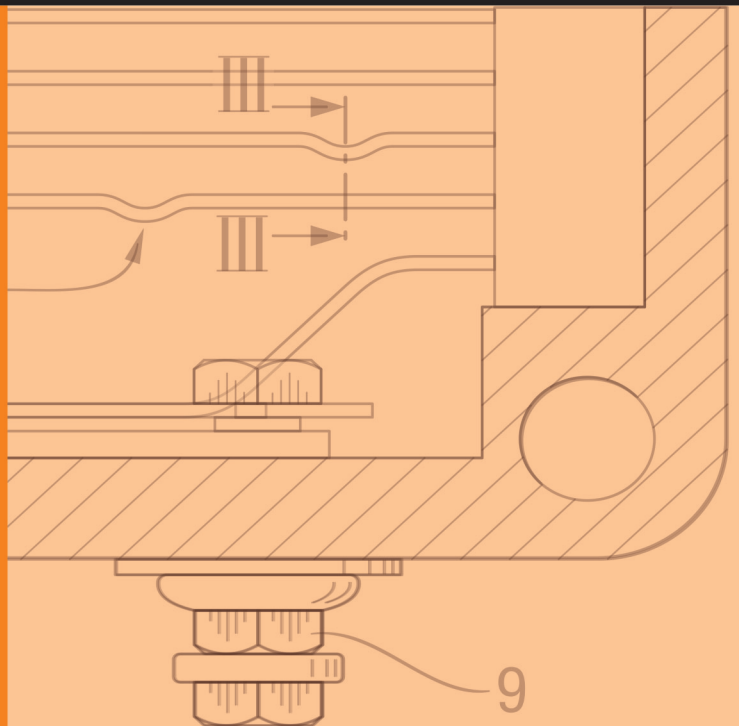


PRASENTATION FOLDER

DESIGN



 **PATENTPLAN GMBH**

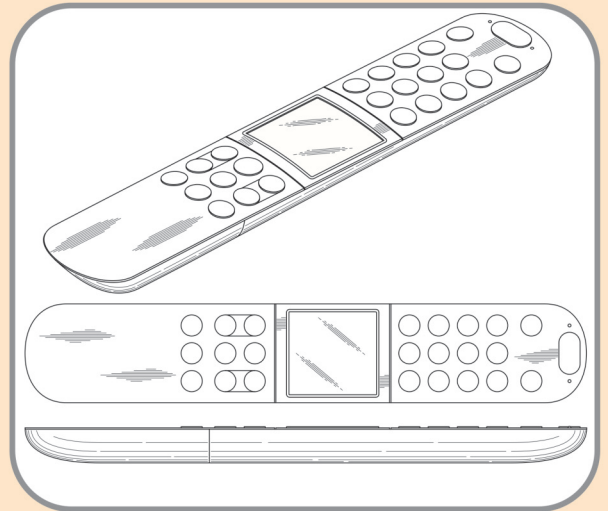
Int. Patent-, Design- & Trademarkt Services
Lindenberg 15 • 82343 Pöcking • Germany
Phone: +49 8151 910 9633 • Fax: +49 3212 - 12 85189
Mobil: +49 179 - 23 35 806
Email: info@patentplan.de
www.patentplan.de



PatentPlan will find you visualizations for registered designs or designs that protect your innovative shape and color design: drawings, visual disclaimers and photos. Whether you need drawings for the international area such as shaded versions for the USA, OMPI, HBMA or outline versions for the Asian area - we will advise you on the content and design and produce them for you.

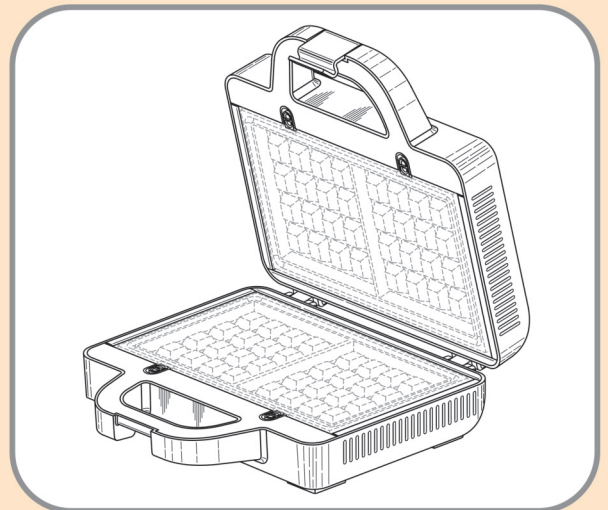
Guidelines for design

For the unambiguous, complete and detailed disclosure of the characteristics of your design: we will prepare all kinds of views for you.



Visual disclaimers

Broken lines, blurring, colour shading, boundaries: we create all common types of visual disclaimers for you.



Design Photography

Optimally lit and on a neutral background: We take professional pictures against a neutral background for your design.



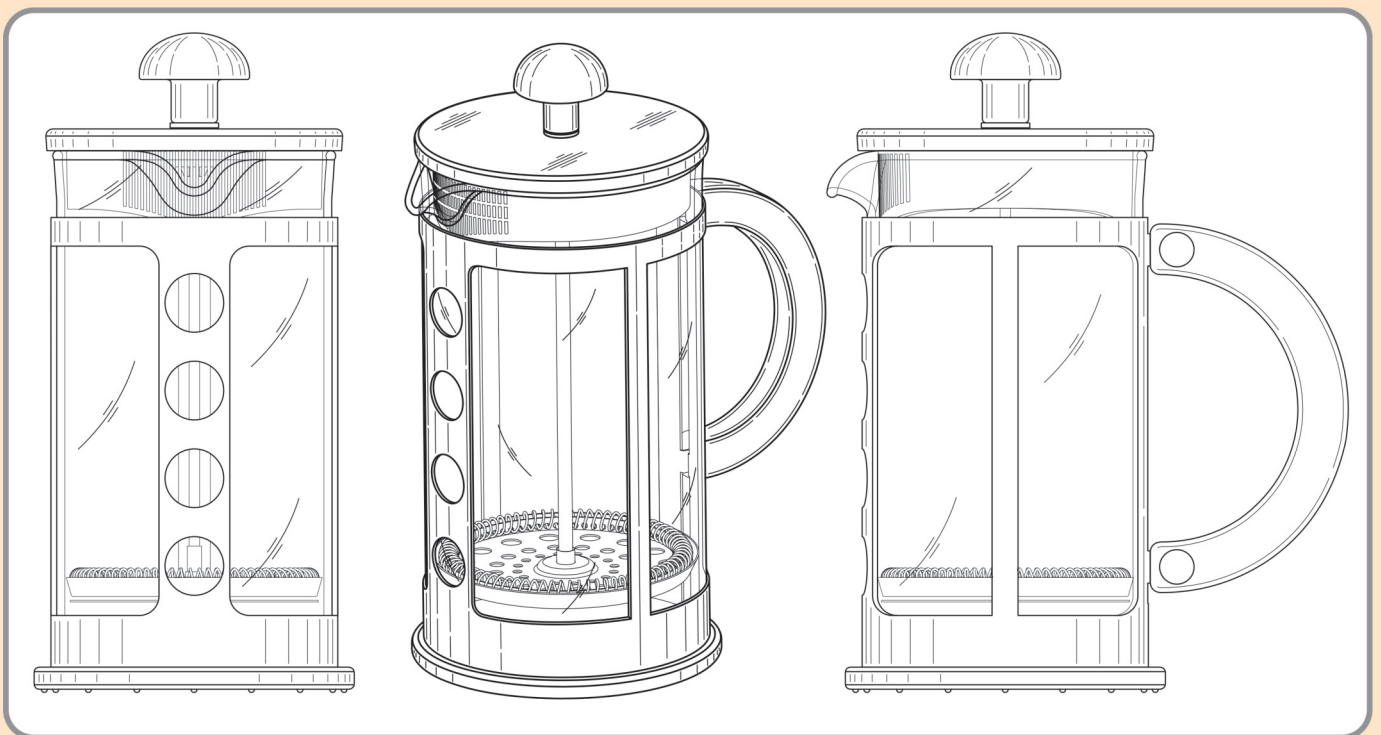


Guidelines for design

In order to describe all features of registered designs or designs precisely, different views must be enclosed with the application. This is how you visualize the nature of your intellectual property clearly, completely and in detail.

We manufacture all types of views for your successful registration:

- ⇒ *Aspect views*
- ⇒ *Views magnifying part of the design*
- ⇒ *Alternating positions*
- ⇒ *Exploded views*
- ⇒ *Partial views*
- ⇒ *Sectional views*





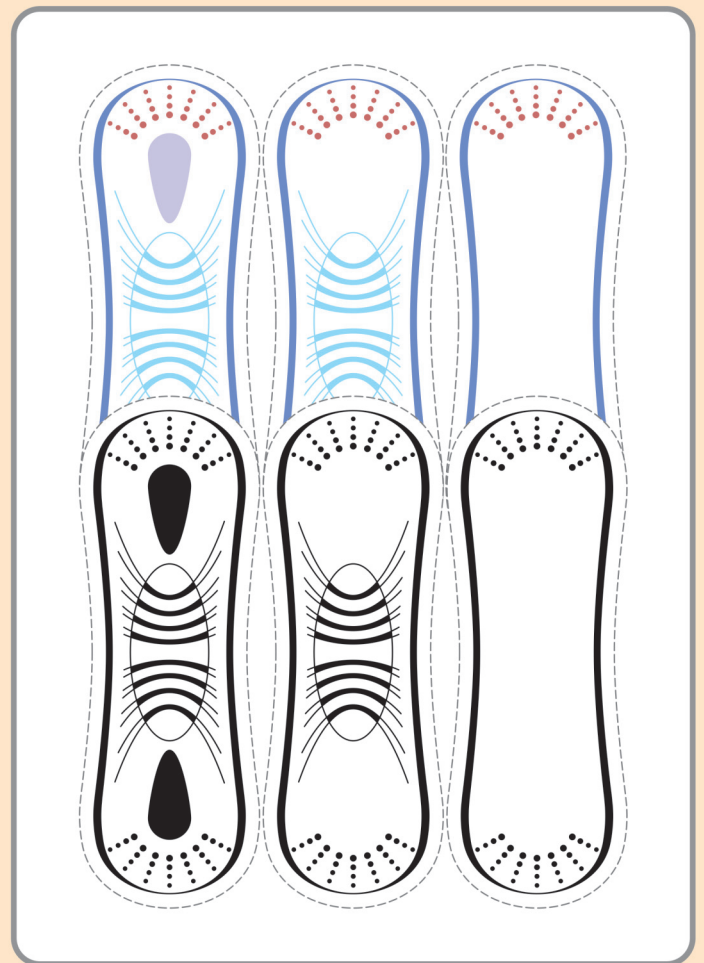
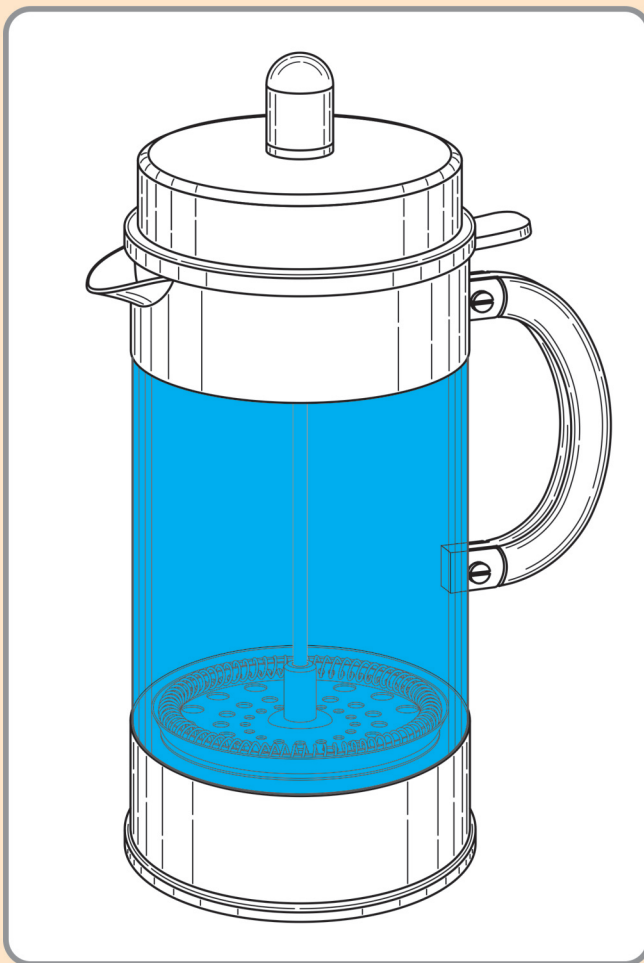
Visual disclaimers

Are you not seeking protection for certain features of your design?

Then you need a visual disclaimer. In order for this to be accepted by the patent office without hesitation, for example all views that contain these features must be uniform. We implement visual disclaimers in the same way that designs are registered by the patent authority right away.

We recommend and use the following techniques:

- ⇒ Broken lines
- ⇒ Blurring
- ⇒ Colour shading
- ⇒ Boundaries





Design Photography

Would you like to emphasize the function and appearance of your design even more clearly? Then enclose professional photos with your registration. We produce perspective and, if possible, orthogonal images for you. Optimally lit and in studio quality. We will of course deliver the images to you in any format you want, for example for submission to OHIM or WIPO.

We create images for your registered designs or designs in the following formats:

⇒ *JPG*

⇒ *TIFF*

⇒ *PNG*

⇒ *BMP*

⇒ *GIF*





Order to:

Client's address:	
	Secr.: _____
	Tel.: _____
	Fax: _____
	Email: _____
	Person responsible for order: _____
	Tel.: _____
Fax: _____	
Email: _____	

PATENTPLAN GMBH
 Int. Patent-, Design- &
 Trademark Services

Lindenberg 15
82343 Pöcking, Germany

Tel.: +49 8151 910 9633
 e-Fax: +49 3212 -12 85189
 Mobil: +49 179 - 233 5806
 info@patentplan.de

File Name:	Prio. Date:	Deadline:

Please supply formal drawing for

- Patent Trademark
 Design Office action in _____

<input type="checkbox"/> for a priority first application in:	<input type="checkbox"/> DE	<input type="checkbox"/> _____	
<input type="checkbox"/> for one or more subsequent applications in the undermentioned countries:	<input type="checkbox"/> EP	<input type="checkbox"/> PCT	
	<input type="checkbox"/> USA	<input type="checkbox"/> Japan	<input type="checkbox"/> China
	<input type="checkbox"/> _____	<input type="checkbox"/> _____	<input type="checkbox"/> _____
	<input type="checkbox"/> _____	<input type="checkbox"/> _____	<input type="checkbox"/> _____
	<input type="checkbox"/> _____	<input type="checkbox"/> _____	<input type="checkbox"/> _____

EP / PCT **language** is: german english french

Drawing for **abstract** is:

<input type="checkbox"/> Delivery format of the country version :	<input type="checkbox"/> PDF files	<input type="checkbox"/> JPGs
--	------------------------------------	-------------------------------

Order date:	Signature:

